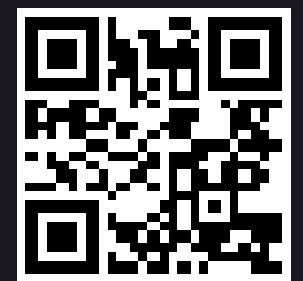


JETOUR DASHING



800 535483
www.jetouruae.com



JETOUR DASHING





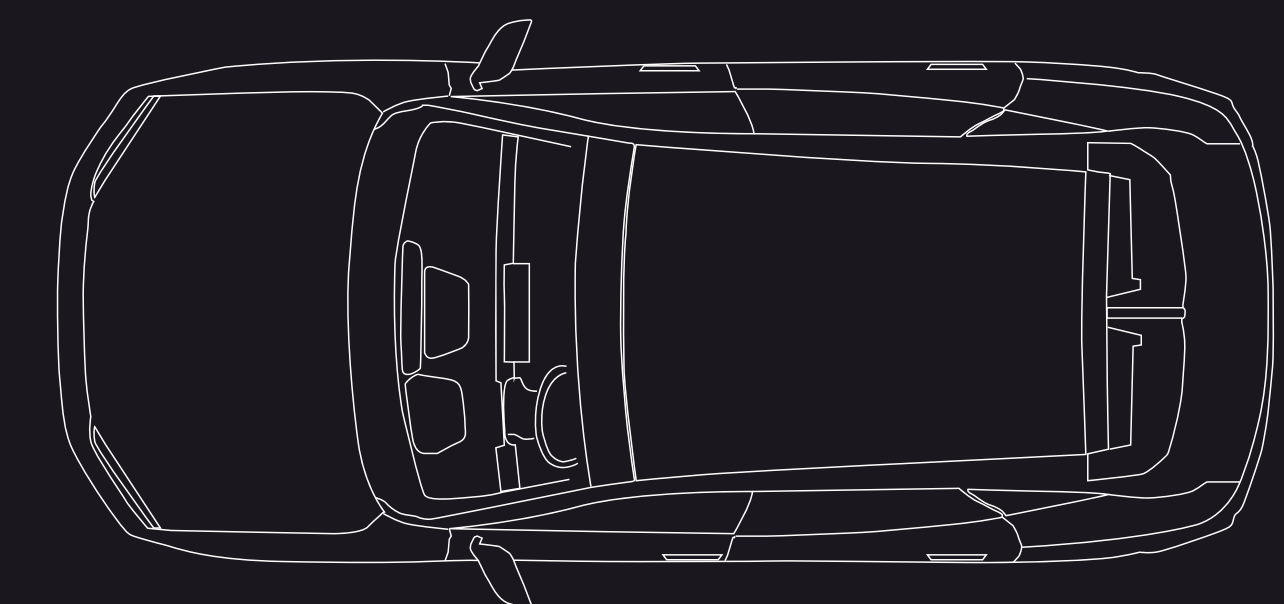
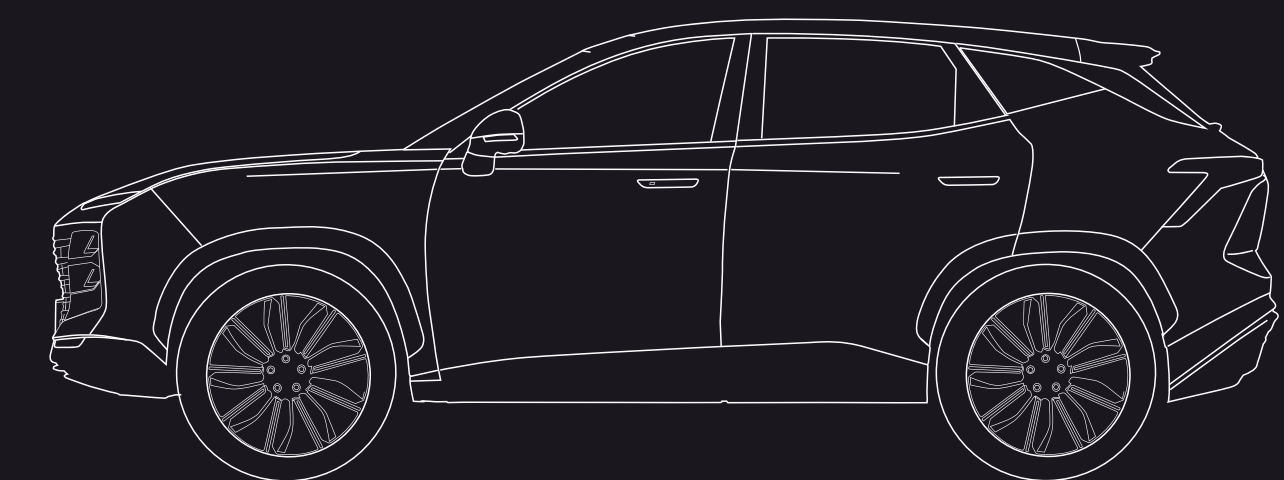
WHEEL BASE
2720 mm

4590 mm

1900 mm

i **ATHLETIC PROPORTIONS**

- ▶ The Jetour Dashing's 4590x1900 mm body gives it a compact style that enjoys sharper lines and sleeker designs.
- ▶ 2720 mm wheelbase keeps the Dashing wide and planted that ensures stable ride on twisty road.





● **STRIKING EXTERIOR DESIGN**

- ▶ The Jetour Dashing has sharp looks translated in its aerodynamic body styling and contemporary appearance.
- ▶ Sharp shoulder lines with 19-inch alloys leads to a finely-sculpted profile.



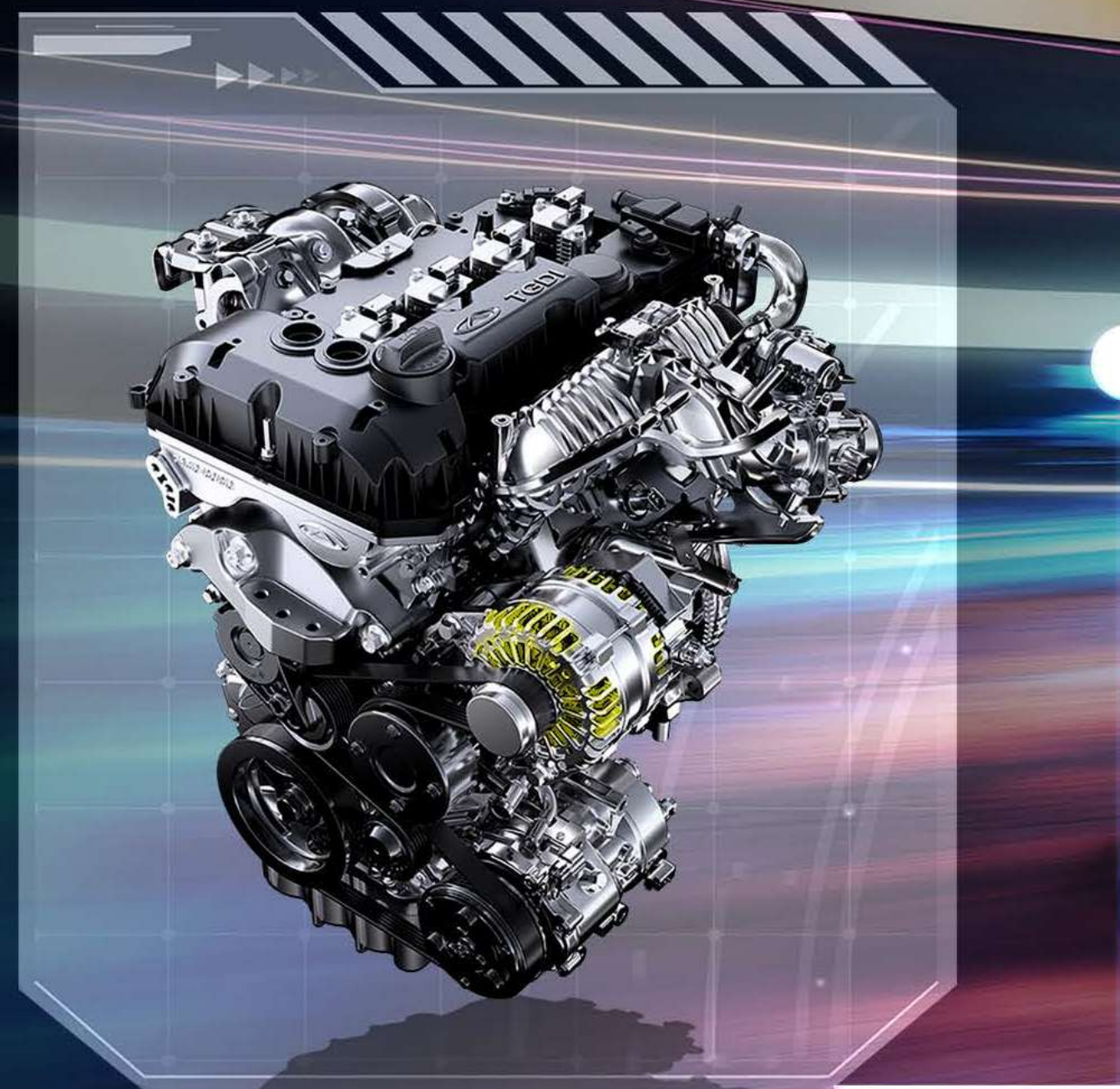
● **MODERN-DAY STYLING**

- ▶ Fine LED lights integrated on both end of the already imposing front grill highlights the elegant overall expression of the car.



i **ASSERTIVE CHARACTER**

- ▶ Adding to its sporty nature are the split rear roof spoilers and rear diffusers which aids to its character.
- ▶ LED tail lights with checkered flag pattern adds sportiness to Dashing's character along with dynamic turn signals.



DYNAMIC PERFORMANCE

- ▶ With its 1.5 liter turbo charged 4 cylinder 156hp engine, the Dashing ensures power and stability no matter the condition.



i CONTEMPORARY CABIN

- ▶ Seating and perfect driving position are translated through sport-designed seats that surrounds the driver and passengers with superior high quality materials.
- ▶ Step inside the Jetour Dashing's spacious 5-seater configuration and experience a one-of-a-kind cabin that offers world-class comfort and luxury.
- ▶ For seamless smartphone integration, the 12.8 inch smart touchscreen equipped with Android Auto and Apple CarPlay, integrates all the features in one clear and user-friendly interface."





i INTELLIGENT SAFETY

- ▶ Parking assist line with 180° transparent chassis ensures safer and secure vehicle parking.
- ▶ The Jetour Dashing ensures safer commuting with a blend of advanced and innovate safety features.
- ▶ Smart rubik's cube key integrating keyless entry and remote start system.

JETOUR DASHING

ELEGANCE IN VIEW
LUXURY IN EVERY JOURNEY



DASHING SPECIFICATIONS - 1.5T

| Model | Dashing 1.5T |
|--|---|
| Trim | Standard |
| Basic Parameter | |
| Length*Width*Height (Mm) | 4590 * 1900 * 1685 |
| Wheelbase | 2720 |
| Minimum Ground Clearance (Mm) | 160 |
| Seats Number | 5 |
| Fuel Tank Capacity(L) | 57 |
| Engine | |
| Engine Type | 1.5TCI |
| Displacement(Ml) | 1,498 |
| Maximum Net Power (Kw) | 115@5500 |
| Maximum Net Power Speed (Rpm) | |
| Maximum Net Torque (N-M) | 210@1750-4000 |
| Maximum Net Torque Speed (Rpm) | |
| Max Speed(Km/H) | 180 |
| Fuel Label | #92 And Above |
| Emission Standard | Euro 6B |
| Transmission | 6DCT |
| Drive Mode | FF |
| Suspension Type | Macpherson Independent Suspension / Multiple Link Independent Suspension) |
| Power Type | EPS |
| Brake Type | Front Ventilated Disc Type/Rear Solid Disc Type |
| Parking Brake Type | EPB + Auto Hold |
| Driving Mode Switching (Economy/Comfort/Sport) | •Economy/Sport |
| Driving Mode Switching | - |
| Tyre Specification | 235/55 R19 |
| Intelligent Lighting | |
| LED Head Lamp | • |
| Height Adjustable Headlights | • |
| Automatic Headlights | • |
| Delay Turn Off Of Headlight | • |
| DRL(Daytime Running Light) | • |
| LED Tail Lamp | • |
| LED CHMSL | • |
| Baggage Compartment Lamp | • |
| LED Directional Light | • |
| Electric Adjustment Of The Rear View Mirror | • |
| Rearview Mirror Electric Heating | - |
| Automatic Folding Of The Rear View Mirror | - |
| Rearview Mirror Reverses Automatically | - |
| Rearview Mirror Memory | - |
| LED Welcoming Laser Light | - |
| Panoramic Sunroof | - |
| Hidden Sensing Door Handle | • |
| Boneless Wipers | • |
| Rain Sensitive Front Wiper | - |
| Rear Windshield Wiper | • |
| Sport Rim | • |
| Electric Control Trunk | - |
| Music Greets Guests Outside | - |
| Keyless Entry System | • |

| | |
|---|---|
| Keyless Start System | • |
| Remote Control Window, Car Search, Central Lock | • |
| Auto Lock And Lift Windows When Leaving The Vehicle | • |
| Remote Start Engine | • |
| Engine Cover | • |
| Forecastle Cover | - |
| Non-Full-Size | • |

| Interior | |
|---|----------------------------------|
| Soft Touch Dashboard | • |
| Break Code Instrument | • |
| Touch Screen | •12.8 Inches |
| HUD | - |
| Front Armrest | • |
| Armrest Box With Refrigeration Function | • |
| Steering Wheel Material | Leather |
| 4 Ways Steering Wheel Adjustment | • |
| Electronic Gear Lever | • |
| Column Shift | - |
| One Key Belt Anti-Clip Elevator Window | • |
| The Seat Material | Leather |
| All-In-One Sports Seats | • |
| Seat Adjustment | Electrical Six-Direction Control |
| Electric Waist Support For Driver | - |
| Seat Memory | - |
| Seats Are Welcome | - |
| Seat Heating | - |
| Seat Ventilation | - |
| All-In-One Sports Seats | • |
| Seat Adjustment | Manual 4 Ways |
| Seat Memory | - |
| Seat Heating | - |
| Seat Ventilation | - |
| Front Passenger Seat Power Seat Memory | - |
| Passenger Leg Bracket | - |
| Rear-End Seat Reversals (6/4 Split) | • |
| Middle Seat Headrest | • |
| Middle Armrest | - |
| Adjustable Seat Back Angle | - |
| All Car Button Backlight | • |
| Manual Anti Glare Of Interior Rearview Mirror | • |
| Driver / Copilot Visor Make-Up Mirror | • |
| Driver / Visor Light | - |
| Front/Rear Reading Light (LED) | • |
| Spectacle Case | • |
| Passenger Damped Pull Hand | • |
| External Environment Sensing Digital Display Screen | - |
| 40W Mobile Phone Wireless Fast Charging | • |
| Number Of Portable USB Ports | 5 |
| Front Row Dual USB Port (Type-C+ Quick Charge) | • |
| USB Interface Under Armrest Box (Data Transmission) | • |
| Rear USB Port | • |
| Hi-Fi / Speakers | 4 |
| In-Car Steering Breathing Light | - |
| Inside The Car Atmosphere Light | - |
| Illuminated Door-Sill Details | • |

| | |
|---|---|
| Front Illuminated Door-Sill Details With Lights | - |
| Rear Door Welcome Pedal | • |
| Defrosting And Defogging Rear Window | • |
| Power Interface | • |
| Luggage Curtain | • |

| Multimedia and Connectivity | |
|--|---|
| Bluetooth/Car Phone | • |
| Intelligent Voice Control (English, Arabic, Spanish, Russia) | • |
| Key Forgotten Reminder | • |
| Mobile Phone Forgotten Reminder | • |

| Advanced Operational Equipment | |
|--|------------|
| 360° Panoramic Visual Parking Assist | - |
| 180° Transparent Chassis | - |
| Rear Astern Image With Parking Assist Line | • |
| ABS (Anti-Lock Brake System) | • |
| EBD (Electric Brakeforce Distribution) | • |
| EBA Brake Assist System | • |
| TCS (Traction Control System) | • |
| ESC (Electric Stability Control) | • |
| HHC Uphill Start Assist System | • |
| HDC Steep Slope Gentle Descent System | • |
| RMI Anti-Rollover Control System | • |
| DBF Dynamic Parking System | • |
| Main/Copilot Driver Seat Airbag | • |
| Main/Copilot Side Airbags | • |
| Front/Back Head Airbags | - |
| TPMS (Tyre Pressure Monitoring System) | • |
| Front Seat Belt Type | Limit Seat |
| The Front Seat Belt Is Not Fastened | • |
| ISOFIX | • |
| Forward Parking Radar | - |
| Rear Parking Radar | 4 |
| EMMO | • |
| Rear Child Safety Door Lock | • |
| Automatic Lock By Speed Induction | • |
| Collision Sensor Automatically Unlocks | • |
| Cruise Control | • |
| Adaptive Cruise | - |
| ICA | - |
| Traffic Jam Assist | - |
| Intelligent High Light Assisted | - |
| Forward Collision Warning | - |
| AEBS(Advanced Emergency Braking System) | - |
| LDWS (Lane Departure Warning System) Lane Keeping Assist | - |
| Lateral collision warning | - |
| - BSD | - |
| - DOW | - |
| - LCW | - |
| Backward Collision Warning | - |
| - RCTA | - |
| SLA Traffic Speed Limit Sign Recognition | - |
| Air-condition | |
| Electric AC | • |
| Dual Temperature Zone Automatic AC | - |
| Second Row Independent Air Outlet | • |
| CN95 Air Filter Element | • |
| Intelligent Air Purification | - |

| | |
|--|-----------------|
| Air Purification Function (PM2.5 Display) | - |
| Anion Generator | - |
| Carbon Monoxide Monitoring | - |
| Other | |
| CarPlay & Android Auto | • |
| Mirror Link | • |
| Fire Extinguisher And First Aid Kit (6 Pieces, Including Medicine) | • |
| Fire Extinguisher And First Aid Kit (6 Pieces, Including Medicine) | • |
| E-Call | — |
| DAB | • |
| GSO Rearview Mirror | • |
| GSO Soft Standard/Fuel Consumption Label | • |
| 120±5Km/H - Speed Alarm | •Non-Adjustable |

| | |
|-------------------------|---------------------------------------|
| WARRANTY | 10 YEARS / 1 MILLION KILOMETER |
| SERVICE CONTRACT | 3 YEARS / 40,000 KILOMETER |
| MODEL YEAR | 2026 |

*T&C apply

EXTERIOR COLORS



INTERIOR COLORS



SHOWROOMS

ABU DHABI

Jetour Abu Dhabi Showroom
Airport Road, Al Maqta'a Bridge,
P.O. Box 107827, Abu Dhabi, U.A.E.

DUBAI

Jetour Dubai Showrooms
4th Street, Al Quoz 3,
P.O. Box 393316 Dubai, U.A.E.

Deira, 109 Al Ittihad RD,
Al Khabaisi,
Dubai.



800 535483

www.jetouruae.com

@jetouruae